

Prime Floors



ZIG ZAG

HDF LAMINATE FLOORING

HERRINGBONE - AC4




Vital finesse captured in
*premium
surfaces*



About

Prime Floors HERRINGBONE Flooring





For a twist on standard hardwood flooring, try Prime Floors elegant herringbone pattern which make a real statement and provide a classic elegance in your bedrooms, living areas, dining rooms, banquets, hotels and much more.

The design of herringbone flooring is characterised by its use of wooden blocks that are smaller than traditional planks. These rectangular pieces are cut and laid in a zig-zag pattern with all the same dimensions to create a stylish, uniform style for any home space.

Benefits of Herringbone :

- Aesthetics
- Cost-effective
- Strength and durability
- Versatility

Zig Zag is a timeless flooring style that can give any space an elegant look. If you're looking to add elegance to your space, then consider adding Prime Floors Zig Zag - the intricate lines of this stunning pattern will elevate your home decor





Scratch
resistance



Anti-slip

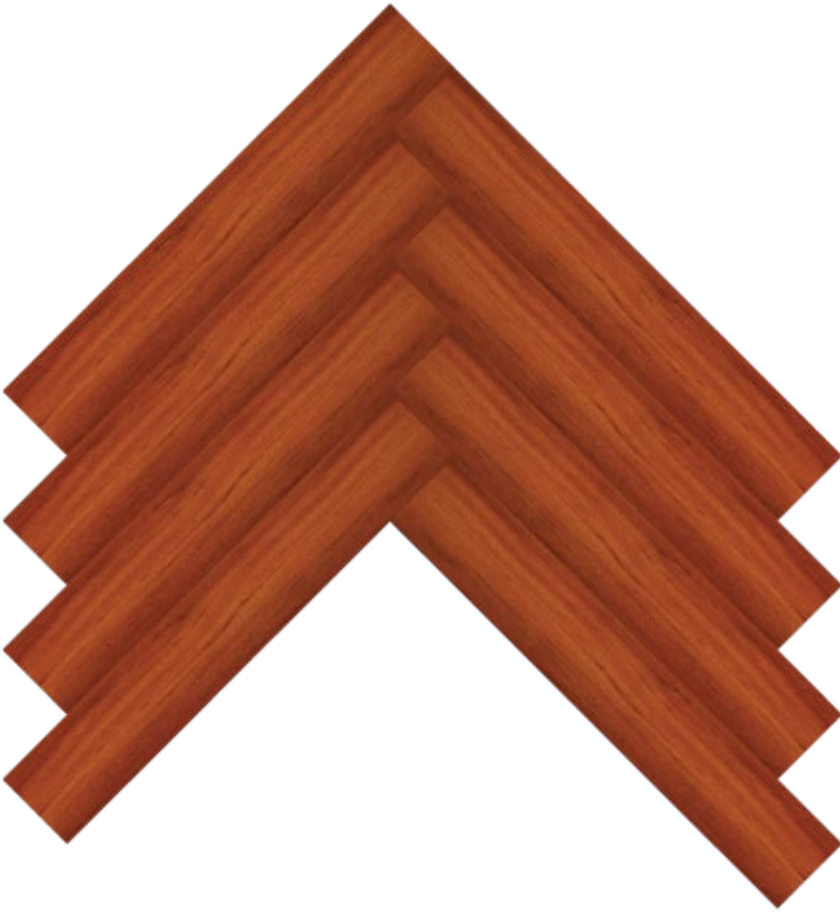


Durability



Dimensional
stability

Disclaimer: Actual product color may vary from the images shown.

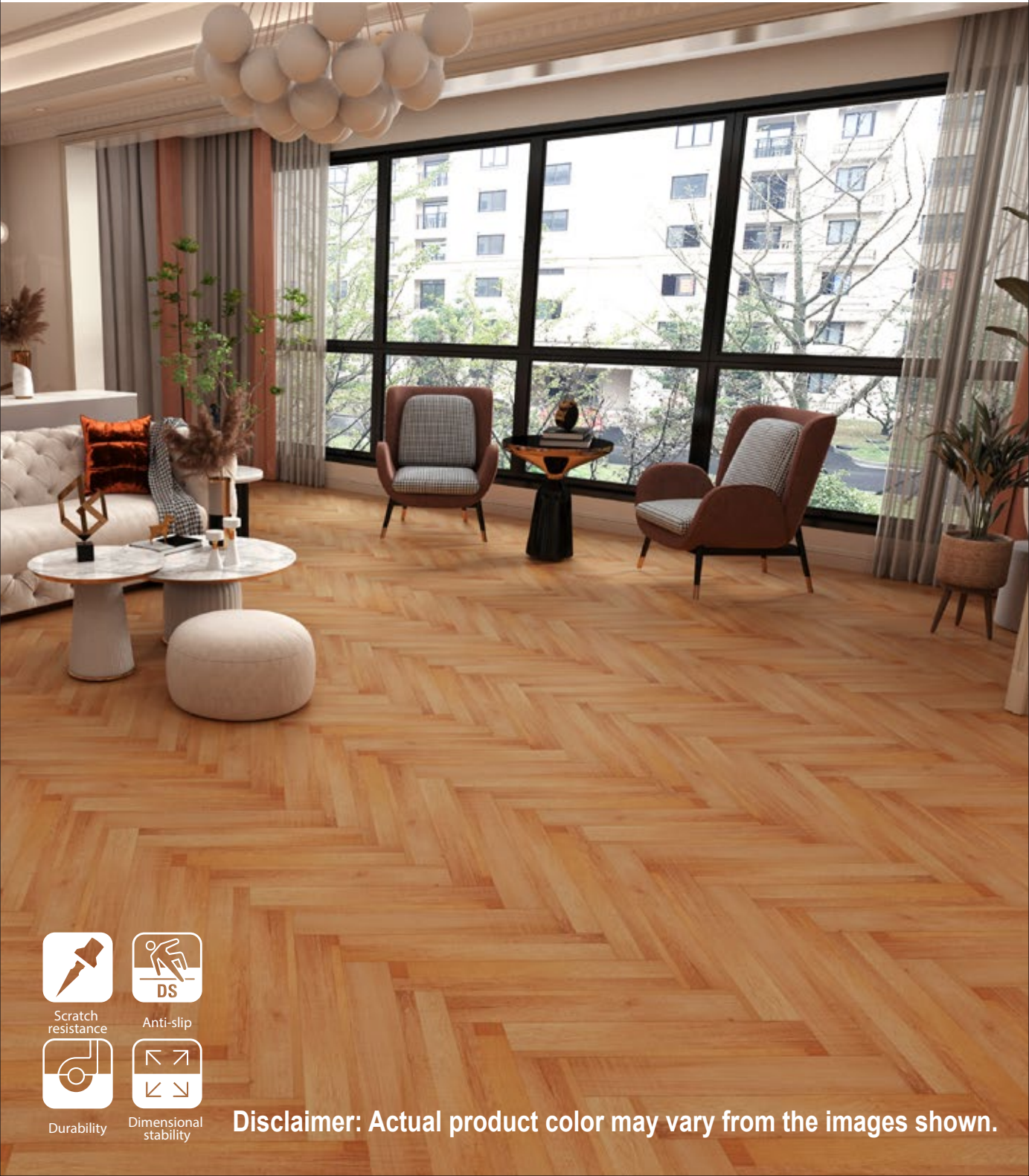


Cinnamon Cocoa | HB-4001

PRIME FLOOR PRODUCT DETAILS

Finish	Small Embossed
Plank Size	600mm X 100mm
Thickness	12 mm
Edge	V Groove / Wax
Installation	Uniclic Method
Abrasion	AC-4
Box Size	22pcs/carton, 14.21sqft





Scratch
resistance



Anti-slip

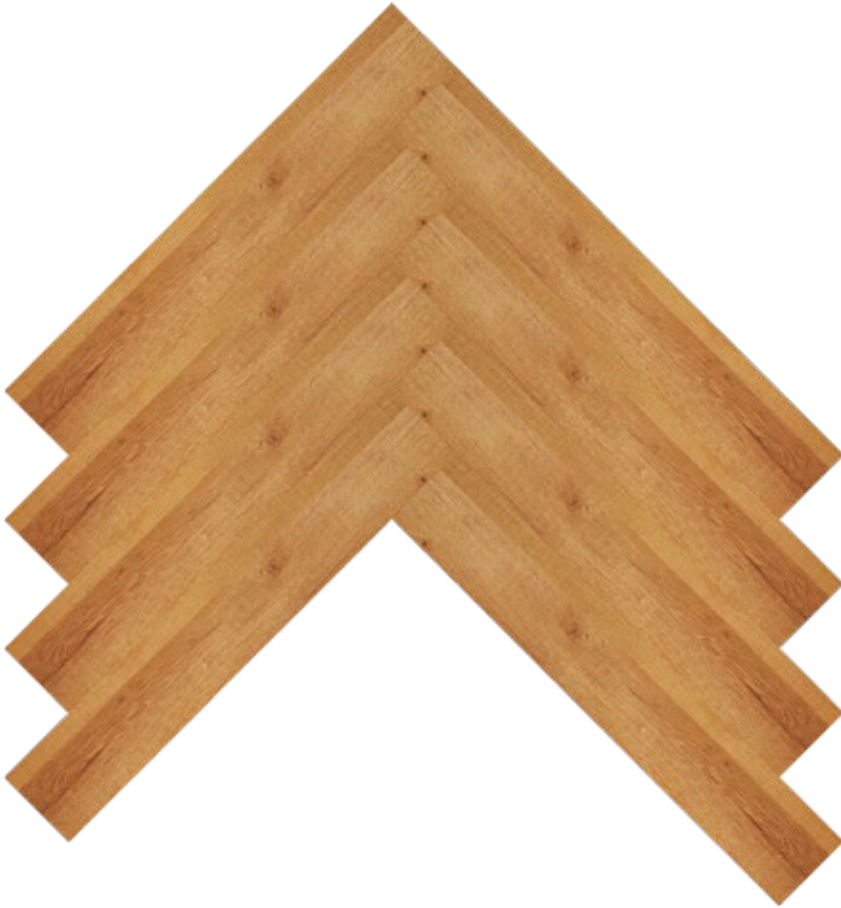


Durability



Dimensional
stability

Disclaimer: Actual product color may vary from the images shown.



Cubano | HB-4002

PRIME FLOOR PRODUCT DETAILS

Finish	Small Embossed
Plank Size	600mm X 100mm
Thickness	12 mm
Edge	V Groove / Wax
Installation	Uniclic Method
Abrasion	AC-4
Box Size	22pcs/carton, 14.21sqft





Scratch
resistance



Anti-slip



Durability



Dimensional
stability

Disclaimer: Actual product color may vary from the images shown.



Honey Gold | HB-4003

PRIME FLOOR PRODUCT DETAILS

Finish	Small Embossed
Plank Size	600mm X 100mm
Thickness	12 mm
Edge	V Groove / Wax
Installation	Uniclic Method
Abrasion	AC-4
Box Size	22pcs/carton, 14.21sqft





Scratch
resistance



Anti-slip



Durability



Dimensional
stability

Disclaimer: Actual product color may vary from the images shown.



Sweet Mocha | HB-4004

PRIME FLOOR PRODUCT DETAILS

Finish	Small Embossed
Plank Size	600mm X 100mm
Thickness	12 mm
Edge	V Groove / Wax
Installation	Uniclic Method
Abrasion	AC-4
Box Size	22pcs/carton, 14.21sqft



Scratch
resistance



Anti-slip



Durability



Dimensional
stability

Disclaimer: Actual product color may vary from the images shown.



Hazel Wood | HB-4005

PRIME FLOOR PRODUCT DETAILS

Finish	Small Embossed
Plank Size	600mm X 100mm
Thickness	12 mm
Edge	V Groove / Wax
Installation	Uniclic Method
Abrasion	AC-4
Box Size	22pcs/carton, 14.21sqft



Scratch
resistance



Anti-slip



Durability



Dimensional
stability

Disclaimer: Actual product color may vary from the images shown.



Oxford Grey | HB-4006

PRIME FLOOR PRODUCT DETAILS

Finish	Small Embossed
Plank Size	600mm X 100mm
Thickness	12 mm
Edge	V Groove / Wax
Installation	Uniclic Method
Abrasion	AC-4
Box Size	22pcs/carton, 14.21sqft





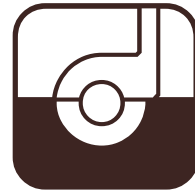
Unique Features



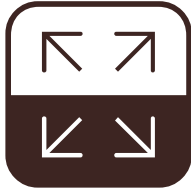
Scratch resistance



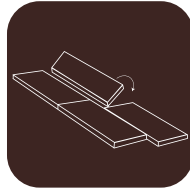
Anti-slip



Durability



Dimensional
stability



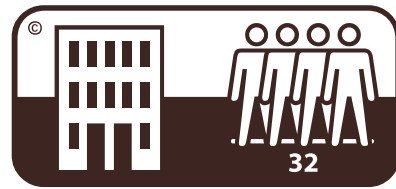
Quick
Installation



UV Protect



Heavy residential use
Level of use 23

















Level of use 32
Light commercial use



Europe
Standard



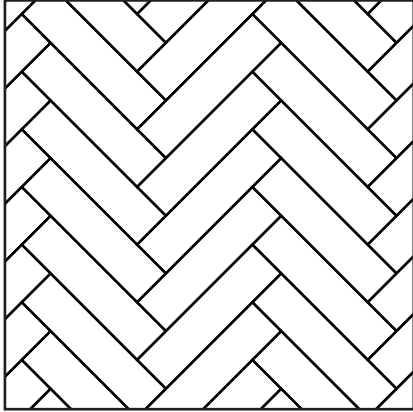
Technical Specifications

	Level of use 23 Heavy residential use	EN 13329	Bed room, living rooms, home offices, etc
	Level of use 32 Light commercial use	EN 13329	Offices, kids play room, changing room, low traffic areas, etc
	Abrasion resistance	EN 13329	AC4
	Impact resistance	EN 13329	IC2
	Fire resistance	EN 13501-1	Bfl-s1
	Slipperiness	EN 14041	DS
	Anti Static characteristics	EN 14041	Laboratory test is fulfilled
	Resistance to cigarette burns	EN 438-2	Slight change of the surface's grade 4
	Light fastness	EN ISO 105-B02 EN 20105-A02	Blue wool scale : ³ / ₆ Grey scale : ³ / ₄
	Static indentation	EN 433	No visible change
	Effect of a furniture leg	EN 424	No visible damage
	Castor chair resistance	EN 425:2002	No visible damage
	Formaldehyde emission	DIN EN 14041	E1
	Thickness swelling	ISO24336	< =12%
	Surface soundness	EN 13329	> 1.00N/mm2

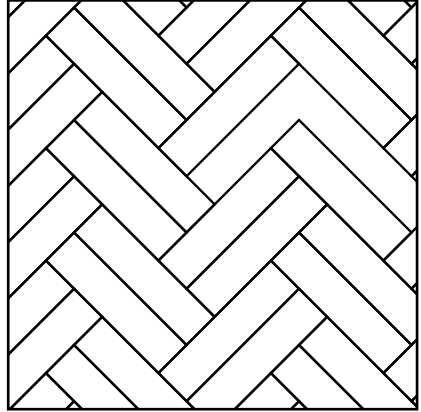


INSTALLATION PATTERN

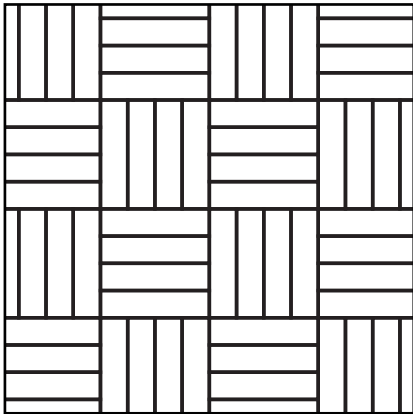
Herringbone



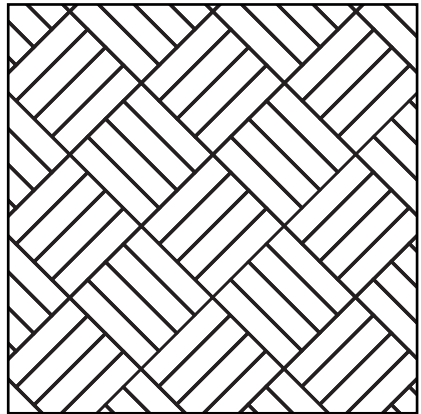
Double Herringbone



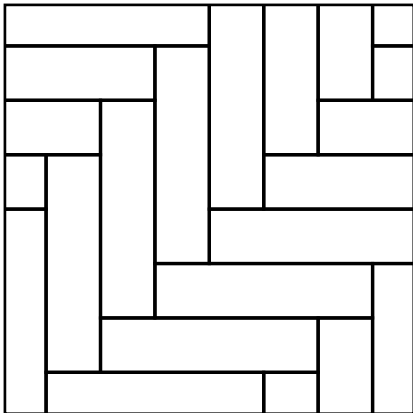
Basket Wave



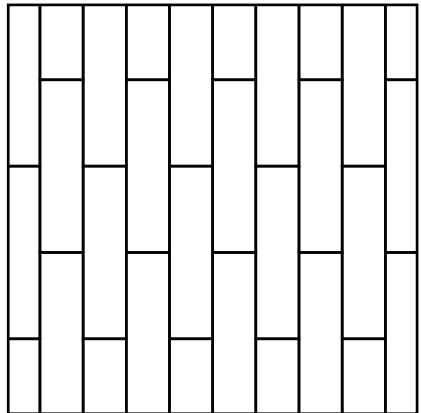
Diagonal Basket Wave



Diagonal Herringbone



Brick



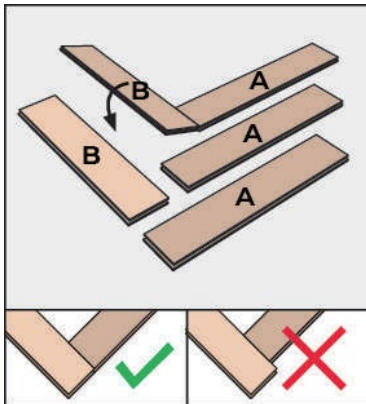
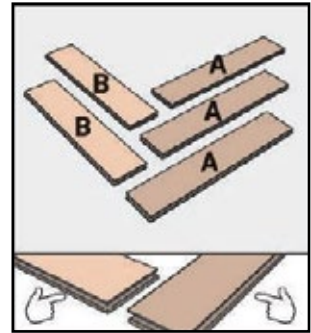
Herringbone Laminate floor installation

Click together installation

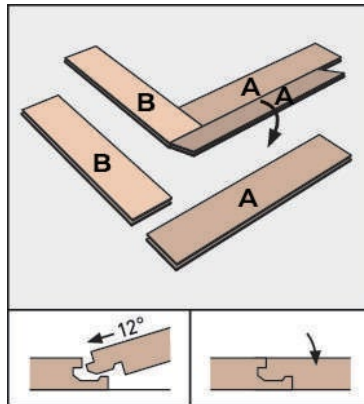
Before you begin your installation, we recommend that you sort the planks into two piles (A and B). To help you, the planks have A or B on the base.

A plank of each type will be required to create the classic Herringbone Pattern. Each unit of Herringbone flooring comes with an equal number of planks, a right-handed plank and a left-handed plank will be required to form a joint.

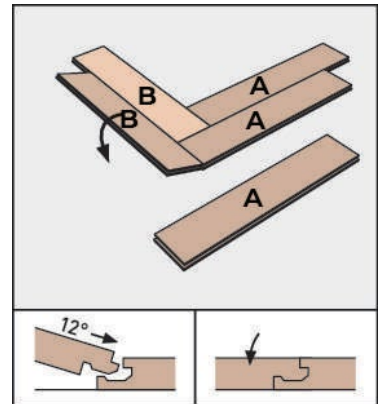
Each board is designed with a click profile on all four sides to join the boards together. Simply insert the long side tongue into the groove at a medium angle and then push them down. The shorter end, known as the "Header Joint", will vary dependent on product chosen.



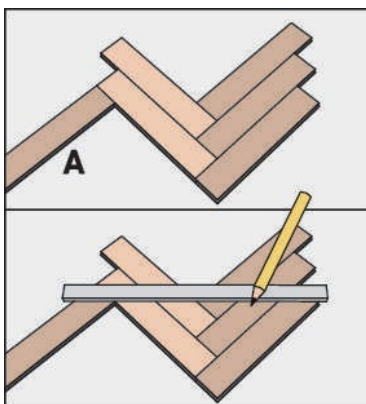
Take two B planks and three A planks. Click the first B plank into the Header Joint of the first A plank. This will form a V shape.



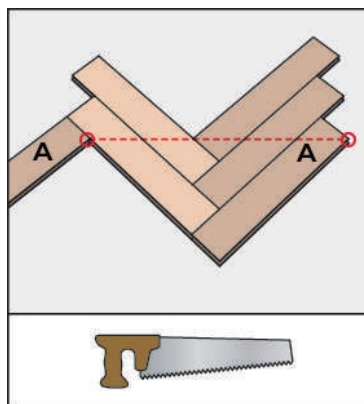
Take the second A plank and place it to the right of your V shape and click it in place.



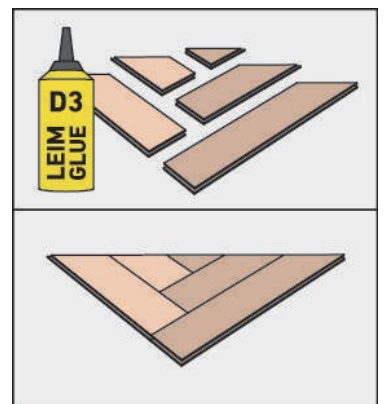
Take the second B plank, place it to the left of your V shape and click it in place. Take the third A plank, place it to the right of your V shape and click in place.



Take a fourth A plank and click the header joint in place to the second B plank.

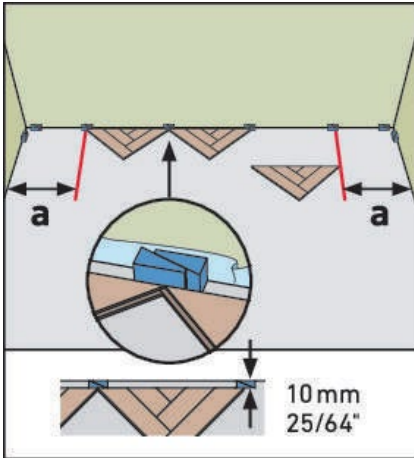


Mark a straight line from the top right corner of the third A plank to the top right corner of the fourth A plank and cut.

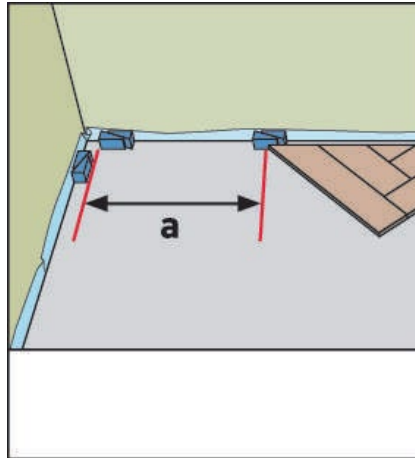


You're left with an inverted triangle. Disconnect the boards, glue, and stick back together, making your shape more sturdy.

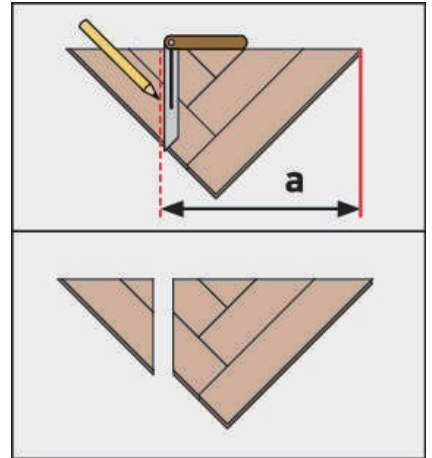
Herringbone Laminate floor installation



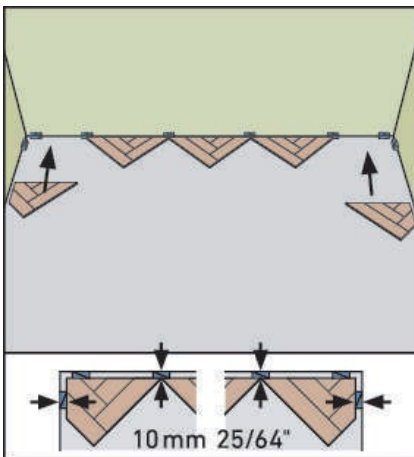
Starting from the centre of the rear wall and working outwards, place your inverted triangles. Make sure there's a 10mm gap at the back and side walls



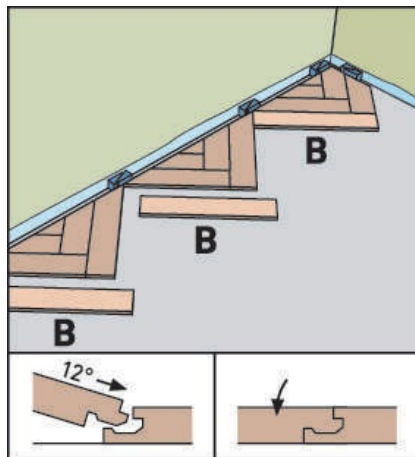
To fit the last inverted triangles against the left and right-hand wall, first measure the distance (a). Make sure your measurement stops 10mm short of the wall.



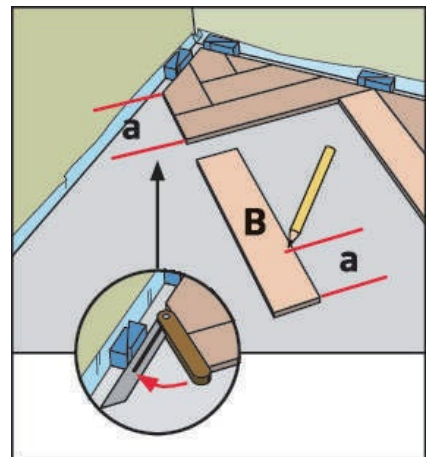
For the left-hand wall, take distance (a), mark (right-to-left) on the inverted triangle and cut. For the right-hand wall mark (left-to-right) and cut.



Now cut, your last two inverted triangles will slot nicely into place.

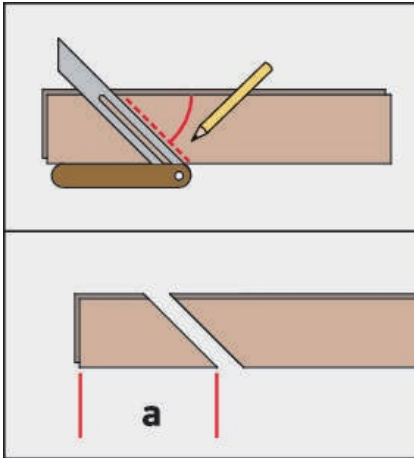


For your first row work from right-to-left. Place B planks to the left of each inverted triangle and click them into place.

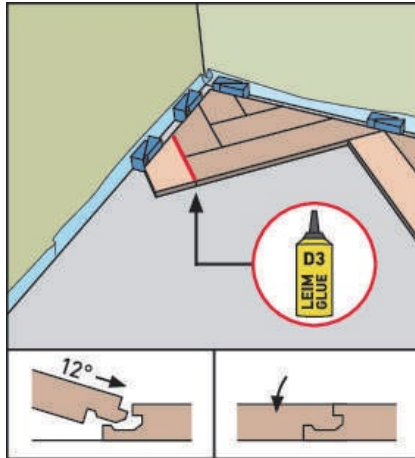


For the last plank, take a measurement (a) and mark it on your B plank.

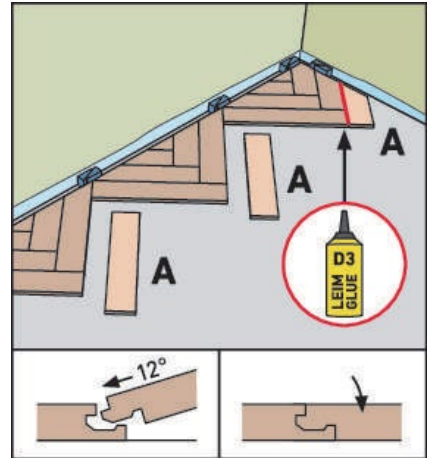
Herringbone Laminate floor installation



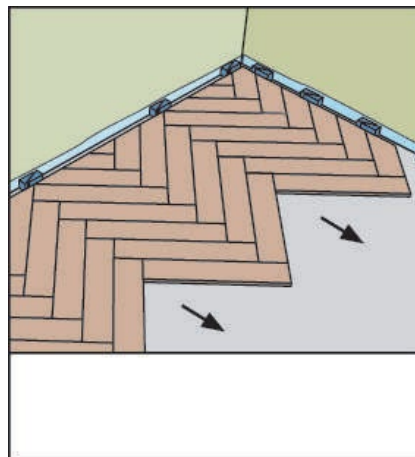
Cut measurement (a) at a 45° angle so it fits within the remaining space.



Glue the board to the inverted triangle to make sure it's sturdy



For your next row work from left-to-right. Place A planks to the right of each inverted triangle and click them into place.



Continue working down, using B planks from right-to-left and A planks from left-to-right, applying the same methods as above.



Prime Floors



ZIG ZAG

HDF LAMINATE FLOORING

HERRINGBONE - AC4



www.excelwallpapers.com